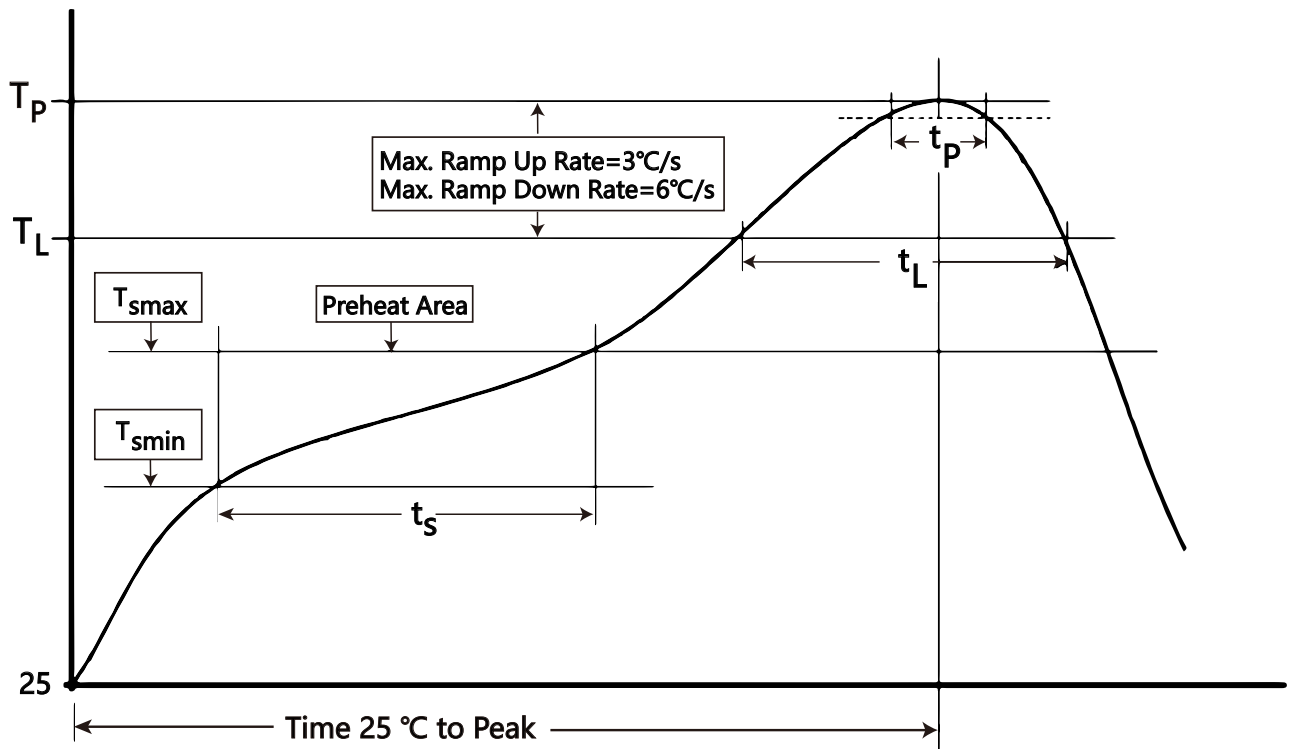




1	5		$\Delta FL \leq 5\text{ppm}$
2		()	$\Delta FL \leq \pm 5\text{ppm}$
3	[$^{\circ}\text{C}$ $^{\circ}\text{C}$	$\Delta FL \leq \pm 5\text{ppm}$
4		$^{\circ}\text{C}$ $^{\circ}\text{C}$	$\Delta FL \leq \pm 5\text{ppm}$
5		$^{\circ}\text{C}$ $^{\circ}\text{C}$	$\Delta FL \leq \pm 5\text{ppm}$
6		$^{\circ}\text{C}$ $^{\circ}\text{C}$ () $^{\circ}\text{C}$ $^{\circ}\text{C}$ ()	$\Delta FL \leq \pm 5\text{ppm}$
7		$^{\circ}\text{C}$ $^{\circ}\text{C}$ $^{\circ}\text{C}$ $^{\circ}\text{C}$ $^{\circ}\text{C}$	$\Delta FL \leq \pm 5\text{ppm}$
8		$^{\circ}\text{C}$	Visual no significant corrosion.
9		$^{\circ}\text{C}$	$\Delta FL \leq \pm 5\text{ppm}$
10	[a	$<1.0 \times 10^{-9} \text{Pa m}^3 / \text{s}$
11		5	Soldering tin rate greater than 95%



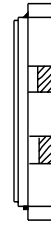
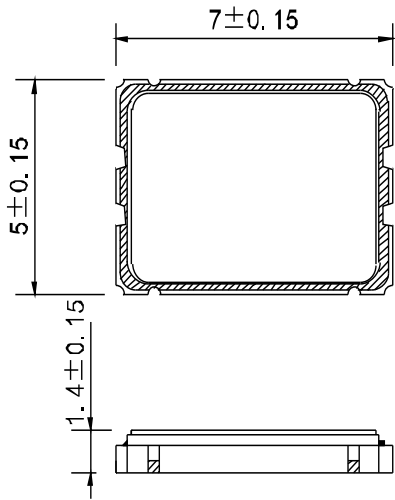
Profile Feature	Sn-Pb Eutectic Assembly	Pb-Free Assembly
Preheat/Soak		
● Temperature Min (T_s min)	100 °C	150 °C
● Temperature Max (T_s max)	150 °C	200 °C
● Time (T_s min to T_s max)	60-120 seconds	60-120 seconds
Ramp-up rate (T_L to T_p)	3 °C/second max.	3 °C/second max.
Time maintained above		
● Liquidous temperature (T_L)	183 °C	217 °C
● Time (t_L) maintained above T_L	60-150 seconds	60-150 seconds
Peak package body temperature (T_p)	235 °C	260 °C
Time within 5 °C of the specified classification temperature (T_p)	20 seconds	30 seconds
Ramp-down rate (T_p to T_L)	6 °C/second max.	6 °C/second max.
Time 25 °C to peak temperature	6 minutes max.	8 minutes max.
Suggest reflow times	3 Times max.	



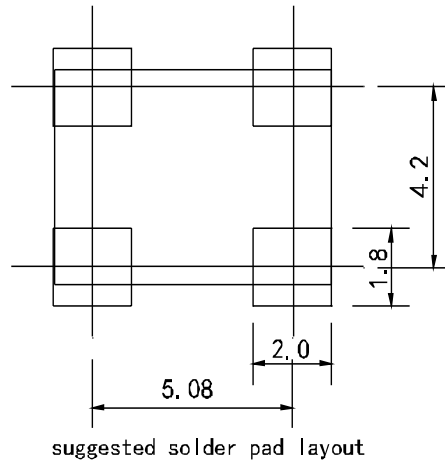
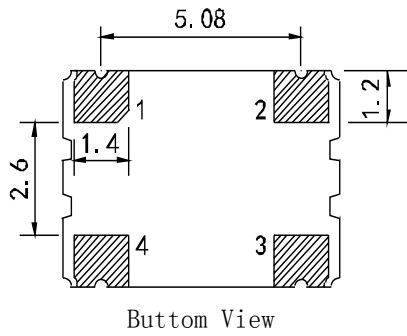


7050 □□

Units: mm

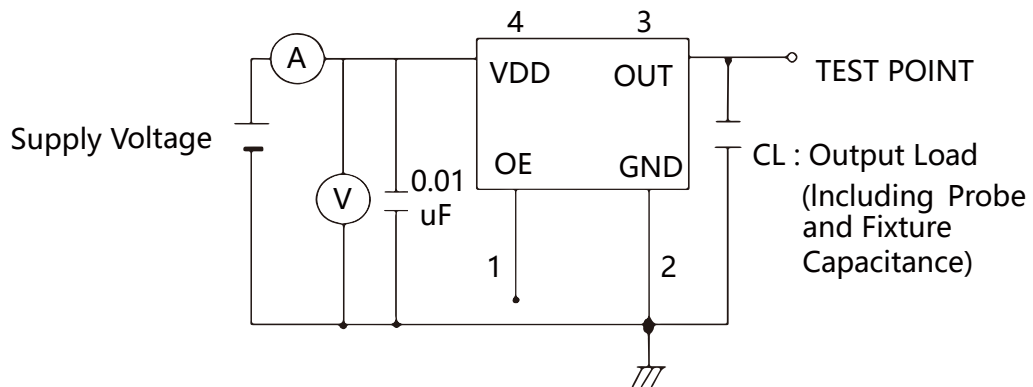


- Pad Functions:
- 1. ENABLE CONTROL
 - 2. GND
 - 3. OUT PUT
 - 4. VDD

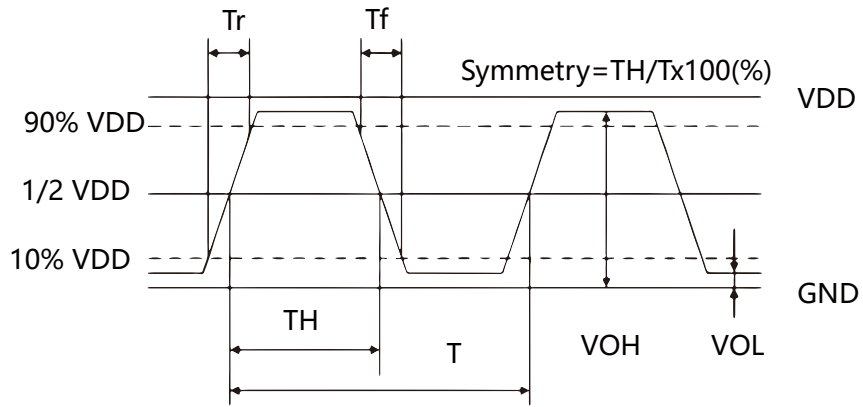


Bottom View

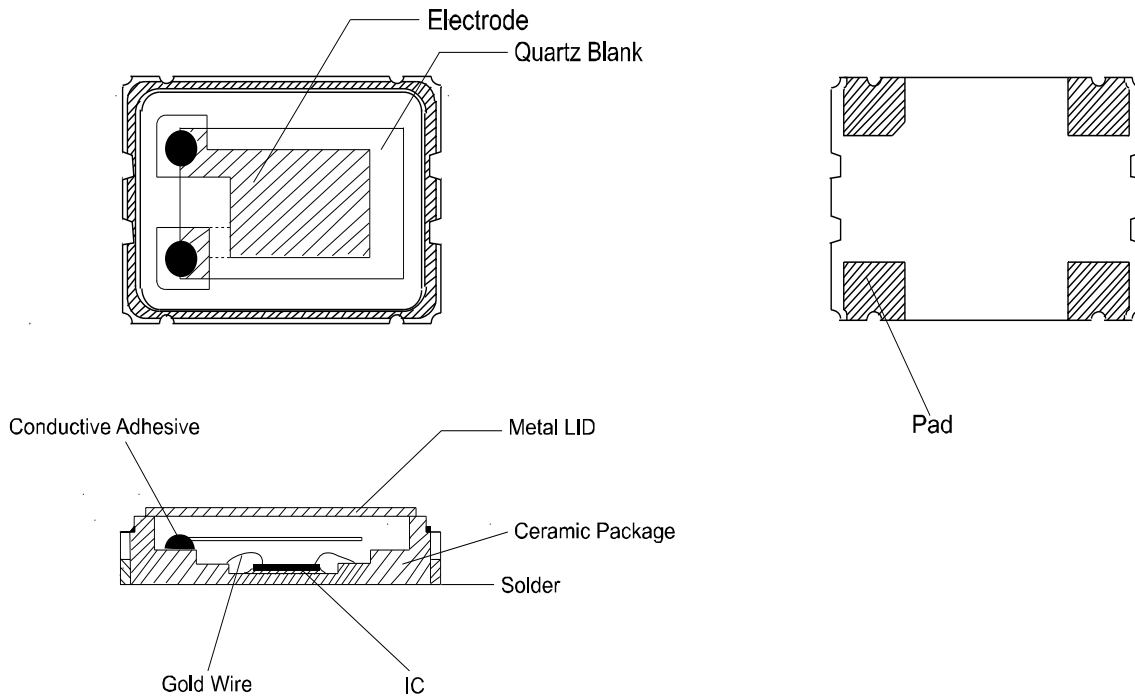
suggested solder pad layout

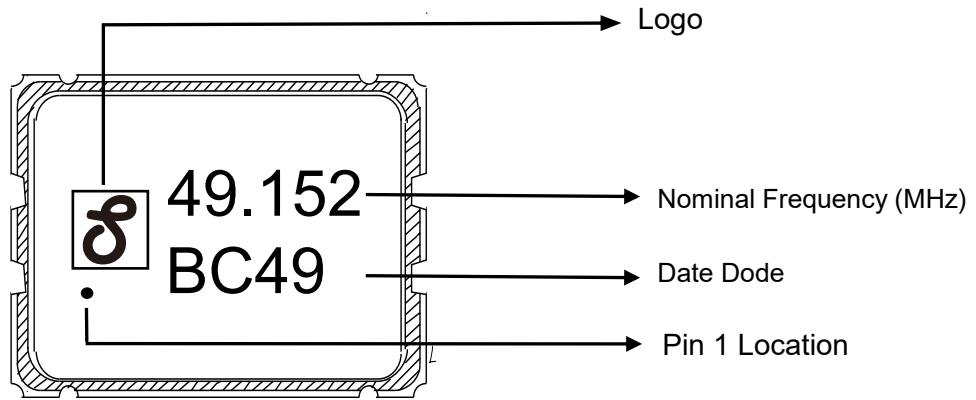


※ Notes: PIN 1 connected to Vdd or floating, the product is working properly; connected to GND, stops working.



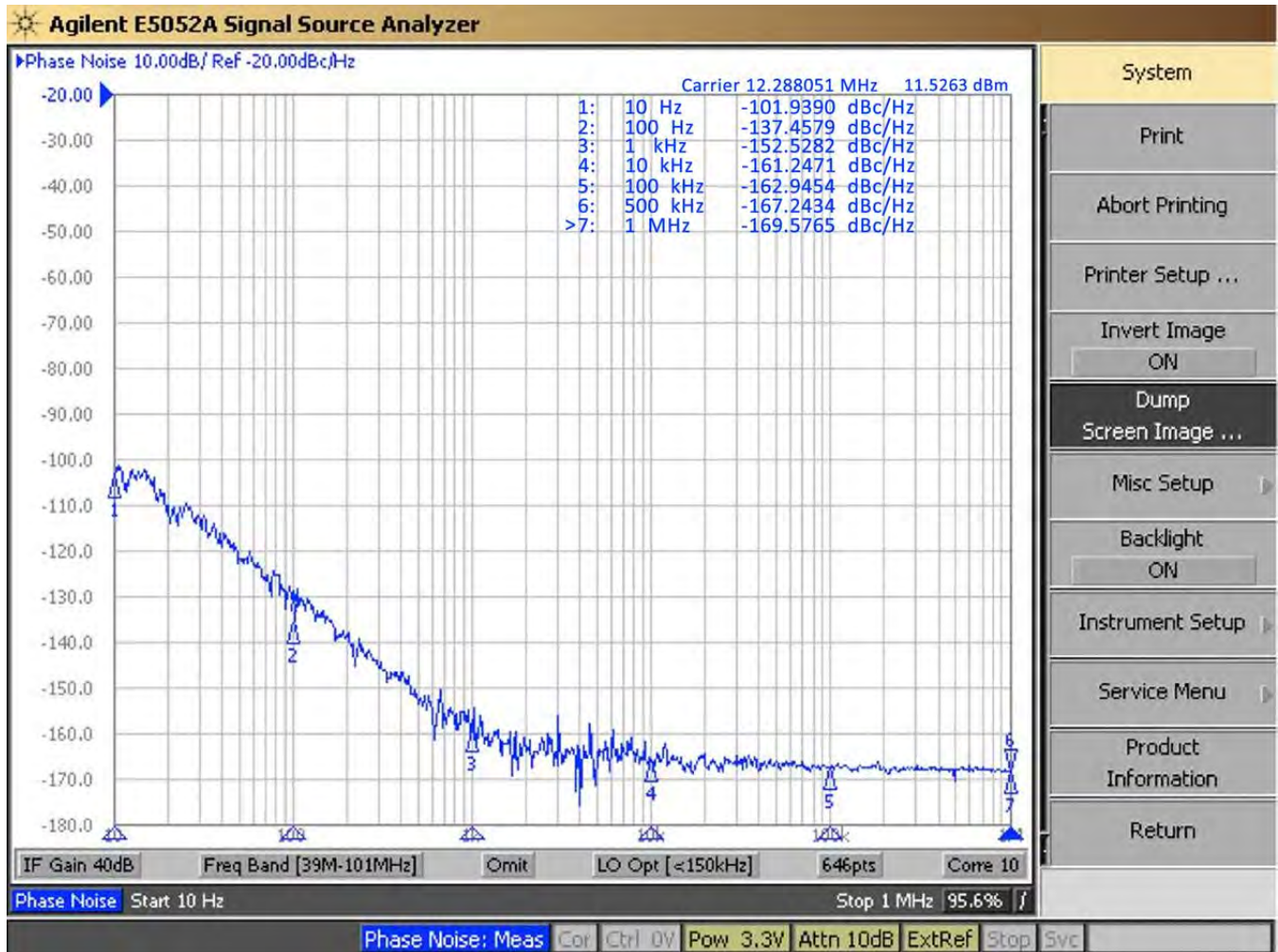
Waveform measurement system should have a min. bandwidth of 5 times the frequency being tested.





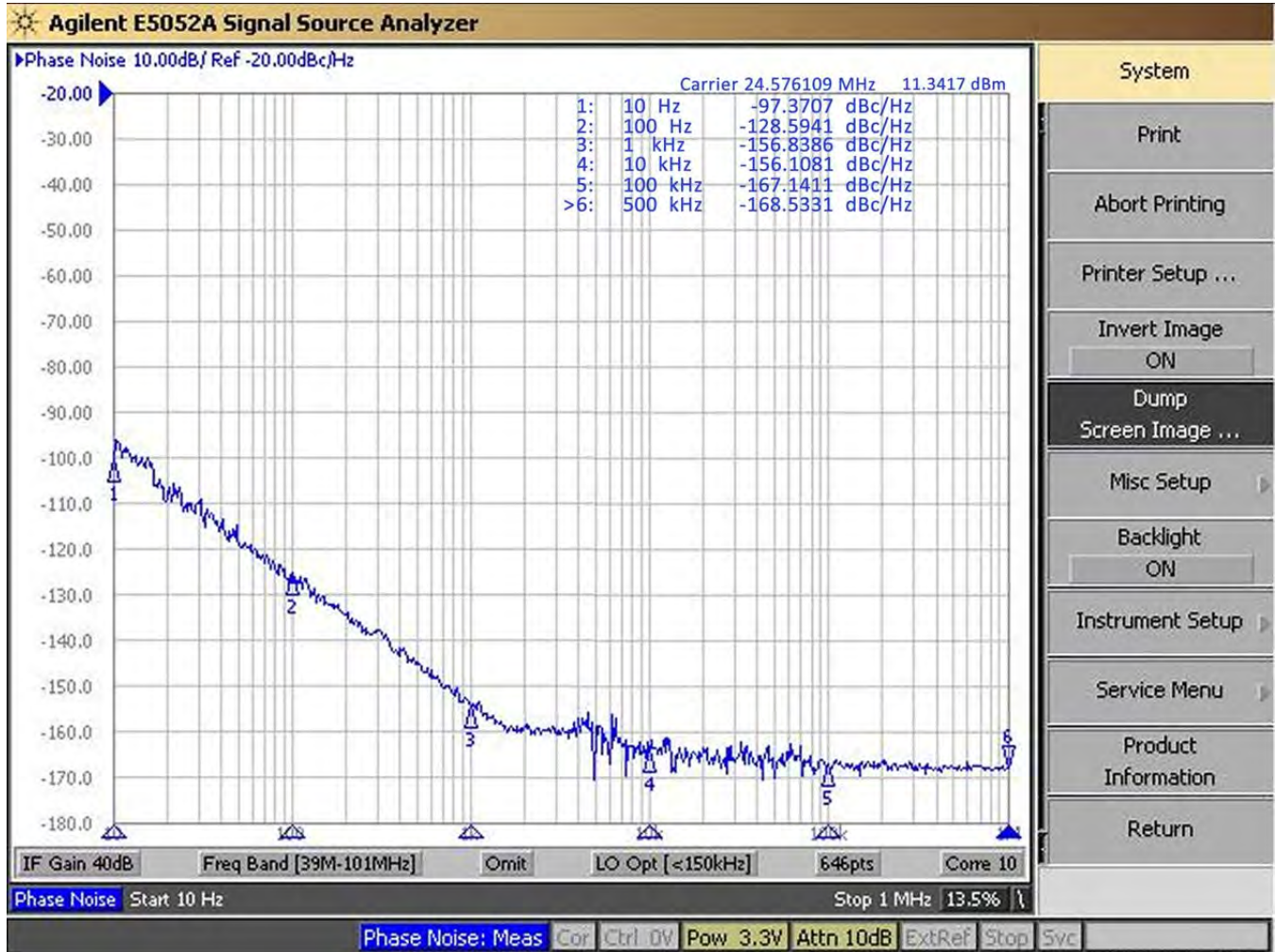


Tested on 12.288MHz

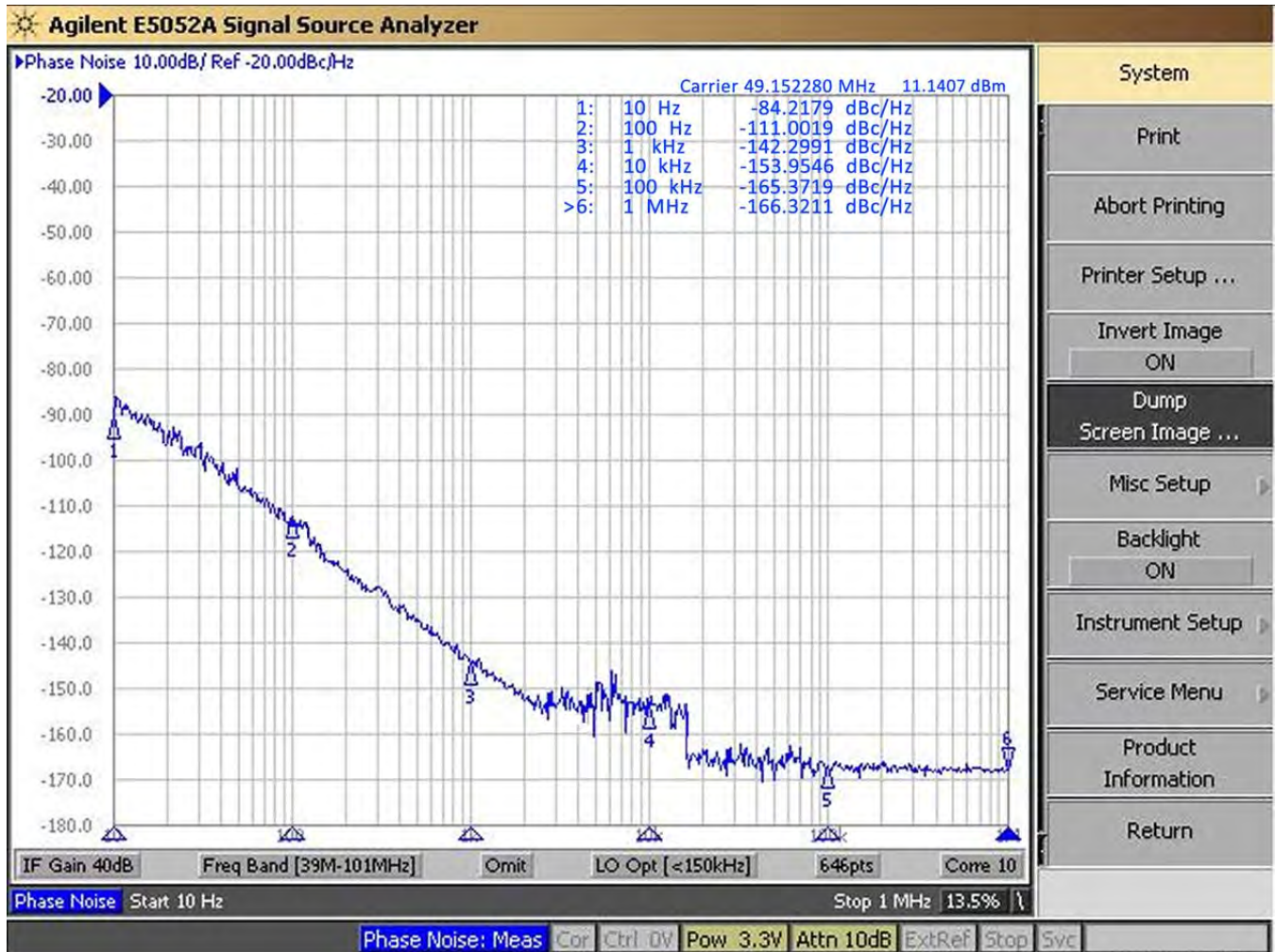




Tested on 24.576MHz



Tested on 49.152MHz

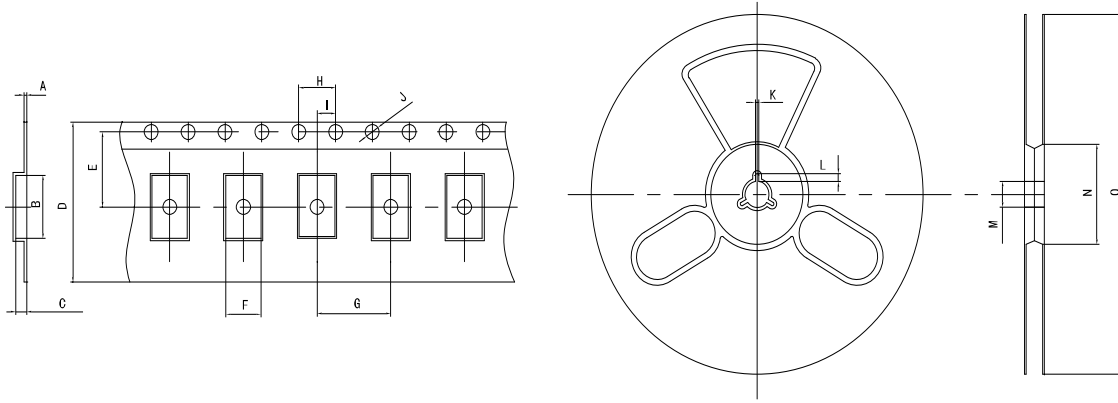




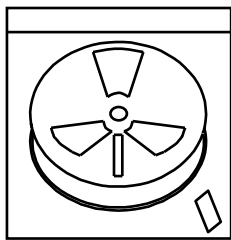




UNIT: mm

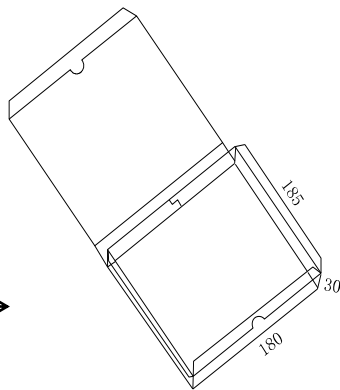


TEYE	A	B	C	D	E	F	G	H	I	J	K	L	M	N	O
5×7 SMD	0.3	7.5	1.8	16.0	7.5	5.5	8.0	4.0	2.0	1.5	2.0	4.0	13.0	60.0	180.0



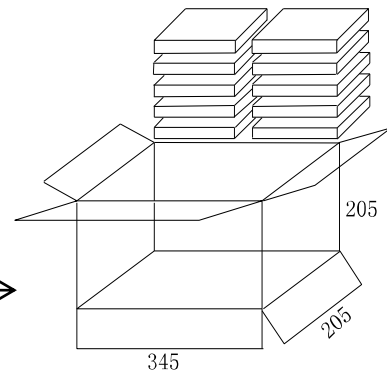
Bag

1000pcs = 1 Reel



Inside package

1 Reel=1 box



Outside Package

10 box=1 carton